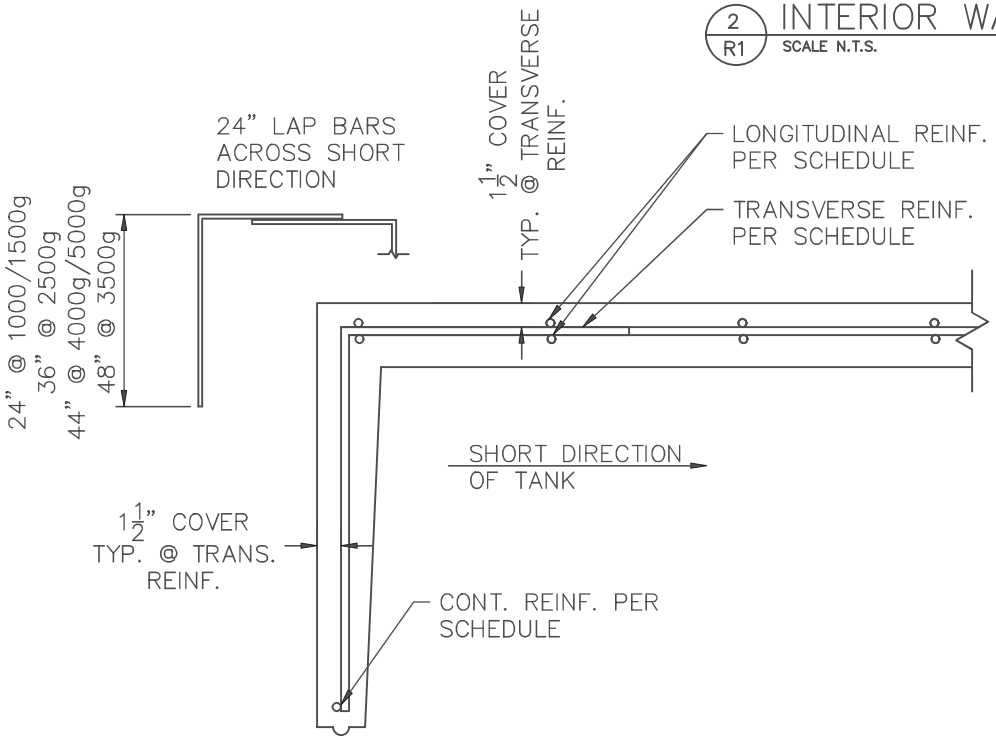


1 LONGITUDINAL(LONG) TOP & BOTTOM REINF.  
R1 SCALE: N.T.S.

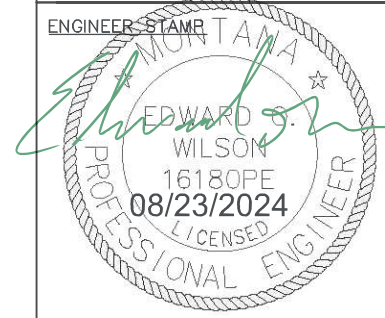
NON-MONOLITHIC TANK REINFORCING NON-TRAFFIC  
0' TO 6' BURY  
#4/60 @ 8" O.C. EA. WAY @ TOP & BOTTOM

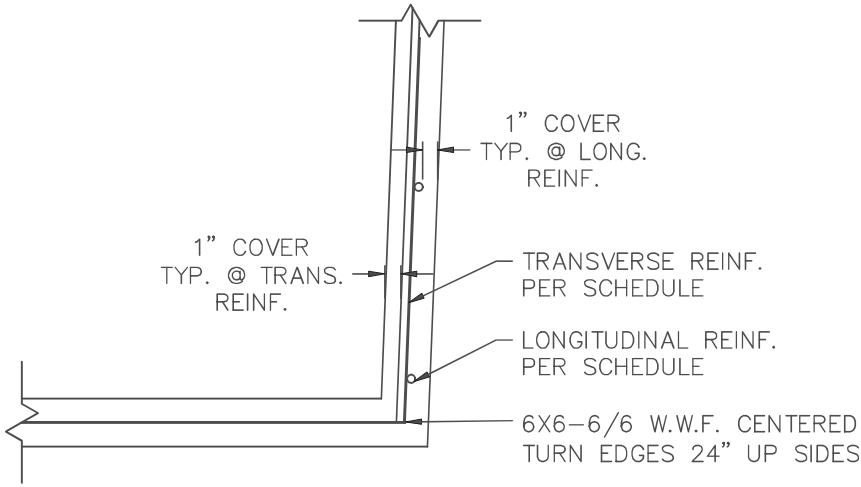
2 INTERIOR WALL REINF. TOP & BOTTOM  
R1 SCALE N.T.S.



3 TRANSVERSE(SHORT) TOP & BOTTOM REINF.  
R1 SCALE N.T.S.

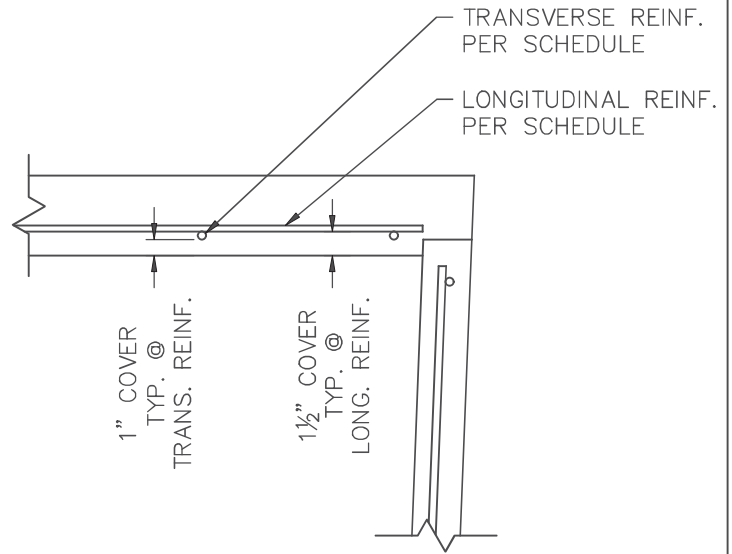
<b>DRAWING TITLE:</b> R1 NON-MONOLITHIC, NON-TRAFFIC REINFORCING DETAILS
<b>PROJECT:</b>
<b>SUPPLIER:</b> THREE FORKS LUMBER AND READY MIX, INC.
<b>ENGINEER:</b> WILSON ENGINEERING, PLLC



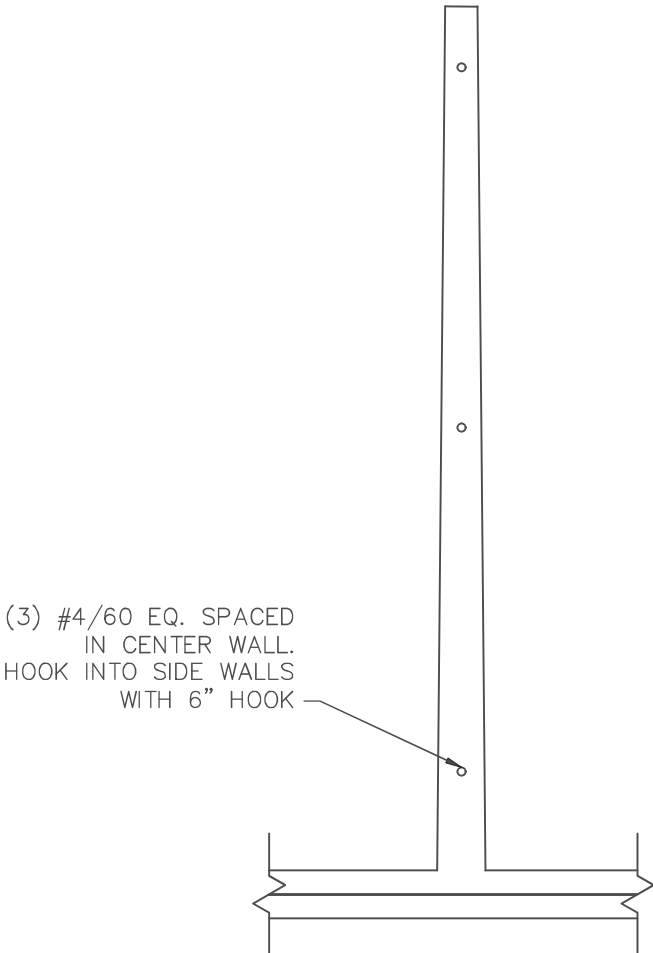


**1** BOTTOM REINFORCING  
R2 SCALE: N.T.S.

NON-MONOLITHIC TANK REINFORCING NON-TRAFFIC  
0' TO 6' BURY  
#4/60 @ 8" O.C. EA. WAY



**2** TOP REINFORCING  
R2 SCALE: N.T.S.



**3** INTERIOR WALL REINFORCING  
R2 SCALE: N.T.S.

<b>DRAWING TITLE:</b> R2 MONOLITHIC NON-TRAFFIC REINFORCING DETAILS
<b>PROJECT:</b>
<b>SUPPLIER:</b> THREE FORKS LUMBER AND READY MIX, INC.
<b>ENGINEER:</b> WILSON ENGINEERING, PLLC

