

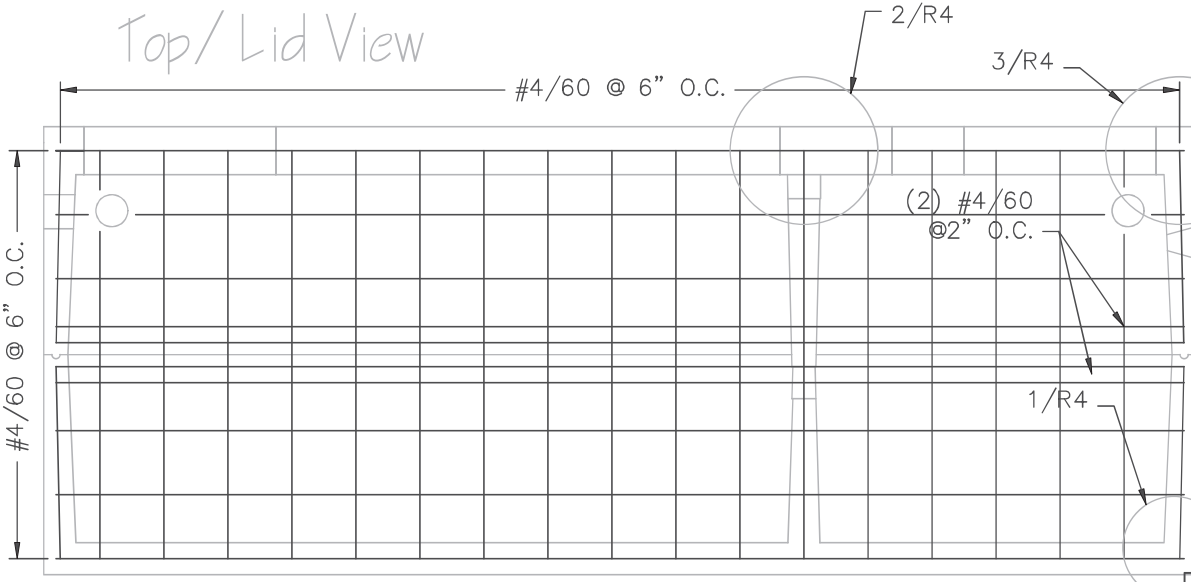
REF. DIM. PLAN FOR TANK DIM. & OPENINGS TYP.

#4/60 X28" TYP. OF 8

(2) #4 EA. END TYP.

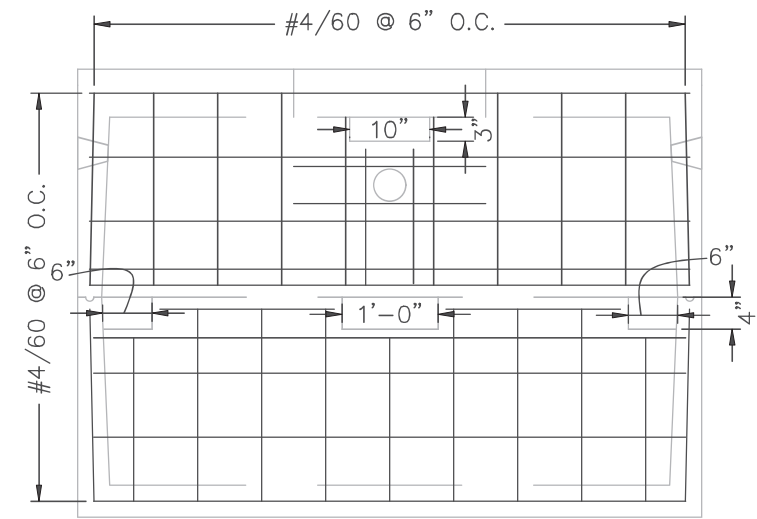
PLACE (1) #4 WITHIN 2" OF OPENINGS TYP. MIN. 24" LENGTH

Top/Lid View



Side View

End View (Outlet Wall)

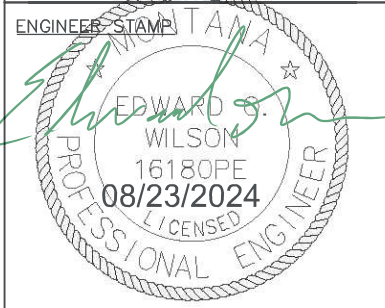


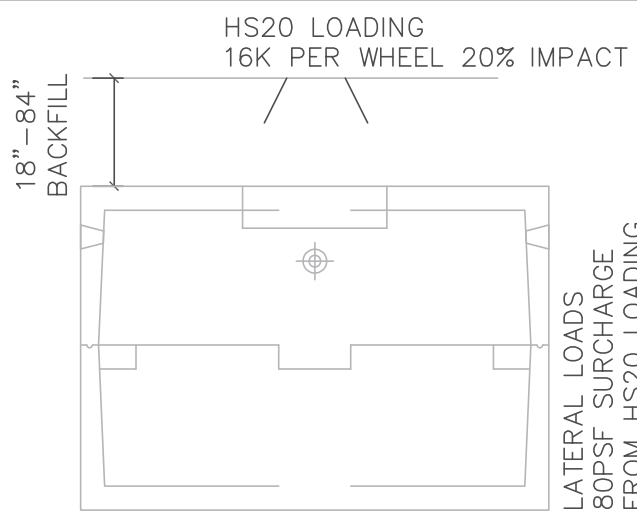
**DRAWING TITLE:**  
R3 TRAFFIC RATED TANK REINFORCING

**PROJECT:**

**SUPPLIER:**  
THREE FORKS LUMBER AND READY MIX, INC.

**ENGINEER:**  
WILSON ENGINEERING, PLLC





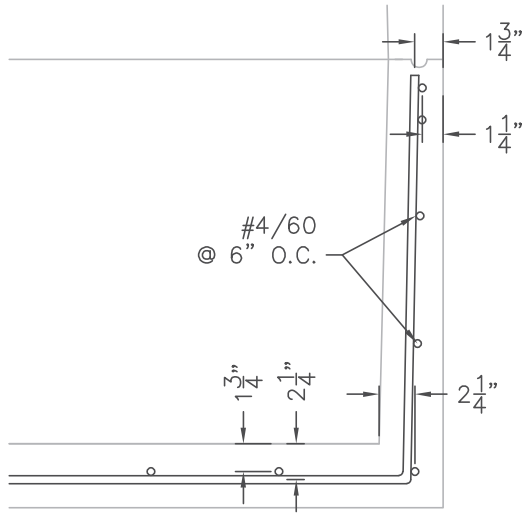
**LOADING DETAIL**  
SCALE: N.T.S.

LATERAL LOADS  
80PSF SURCHARGE  
FROM HS20 LOADING

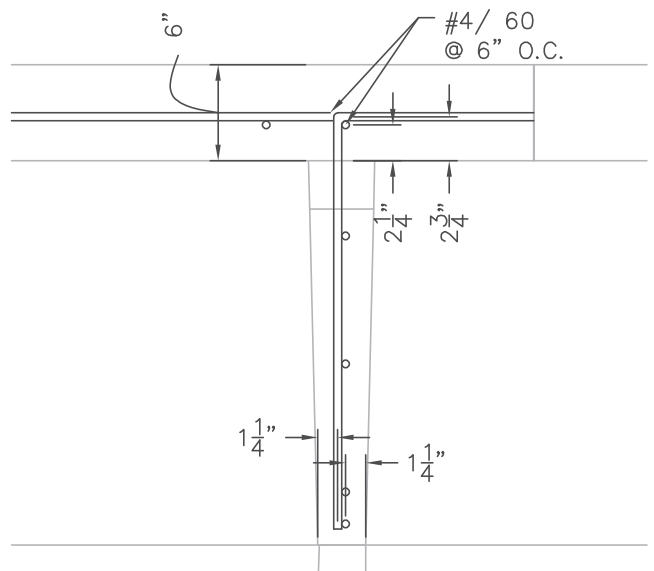
LATERAL SOIL LOAD  
110PCF SOIL WEIGHT  
 $K_a = .36$



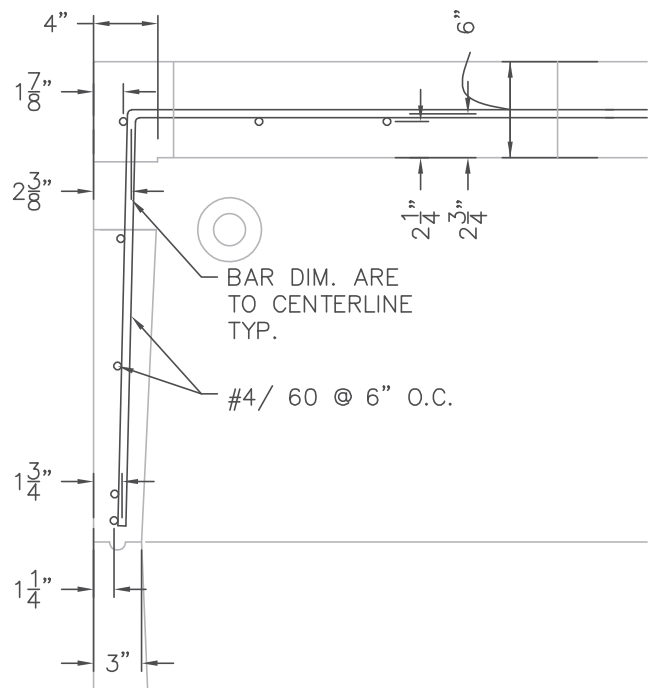
WATER TABLE  
MAX. BELOW  
THIS LINE



**1 TRAFFIC TANK REINF.**  
SCALE: N.T.S.



**2 TRAFFIC TANK REINF.**  
SCALE: N.T.S.



**3 TRAFFIC TANK REINF.**  
SCALE: N.T.S.

<b>DRAWING TITLE:</b> R4 TRAFFIC RATED TANK REINFORCING
<b>PROJECT:</b>
<b>SUPPLIER:</b> THREE FORKS LUMBER AND READY MIX, INC.
<b>ENGINEER:</b> WILSON ENGINEERING, PLLC

